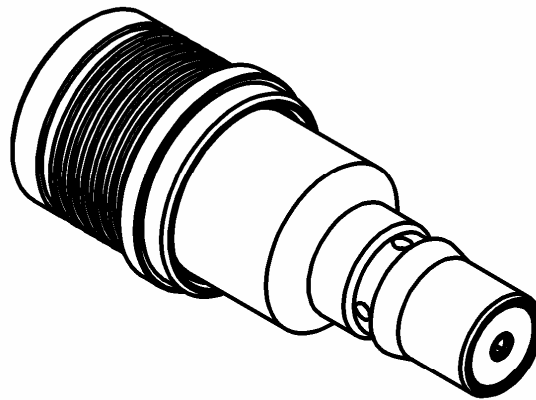
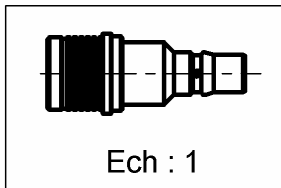
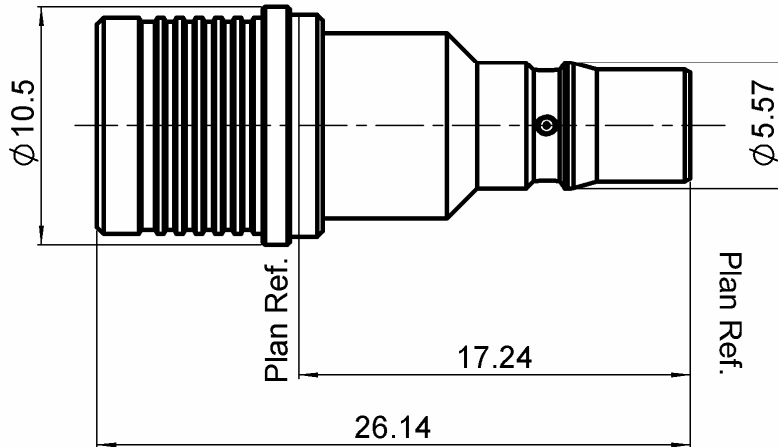


6GHZ 1W 16DB QMA ATTENUATOR

R411.716.124

Series :
ATTENUATEUR



All dimensions are in mm.

COMPONENTS	MATERIALS	PLATING(μm)
BODY	BRASS	BBR 2
MALE CENTER CONTACT	BRASS	GOLD 1.3 OVER COPPER 2.5
FEMALE CENTER CONTACT	BERYLLIUM COPPER	GOLD 1.3 OVER COPPER 2.5
OUTER CONTACT	BRASS	BBR 2
INSULATOR	PTFE	
GASKET		
SUBSTRATE	ALUMINA	
RESISTOR	THICK FILM	
OTHERS PARTS		

Issue : 0915 C

In the effort to improve our products, we reserve the right to make changes judged to be necessary.

RADIAL

6GHZ 1W 16DB QMA ATTENUATOR

R411.716.124

Series :
ATTENUATEUR

ELECTRICAL CHARACTERISTICS

Frequency (GHz)	2	2 - 6
V.S.W.R (≤)	1.20	1.30
Deviation(±dB)	0.70	0.70

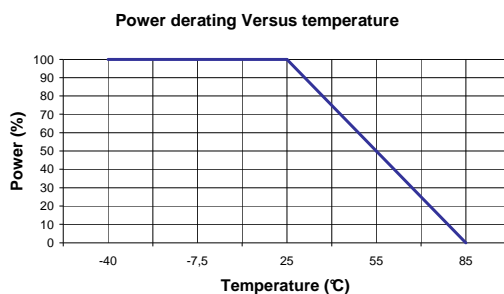
Operating Frequency Range		GHz
Impedance	50	Ω
Nominal Attenuation	16	dB
Peak power at 25°C (1μs, 1%)	100	W
Average power at 25°C	1	W (Free Air Cooled)
		W (Conduction Cooled)

MECHANICAL CHARACTERISTICS

Connectors QMA
Weight 6,2610 g

ENVIRONMENTAL CHARACTERISTICS

Operating temperature range	-40 / +85 °C
Storage temperature range	-40 / +85 °C



SPECIFICATION

OTHER CHARACTERISTICS

Issue : 0915 C

In the effort to improve our products, we reserve the right to make changes judged to be necessary.

